

E150 Equitek Large Diaphragm Condenser Microphone

Equitek



Applications:
Voice-over
Recording
Broadcast
Sound Reinforcement
Podcasting
Audio for Video Projects



Description

The Equitek™ series of microphones are world-renowned for their quality and performance - the product of industry artisans engineering original designs with world-class performance and specifications. These high sensitivity, low noise, low distortion microphones are perfect for your next voice-over, recording, broadcast, sound reinforcement, podcasting or audio for video projects. CAD Audio has more than 90 years of professional audio expertise and takes pride in supporting your creative project.

The E150 Large Diaphragm Condenser Microphone continues in the Equitek tradition of excellence offering superior performance and outstanding value. The gold-plated 34mm (1.3") capsule performs well on vocals, acoustic instruments, percussion instruments, and voice over work. The E150's sensitivity ensures even the most subtle details are captured. From vocals to percussion, acoustic instruments, and everything in between, the CAD Audio E150 will prove to be one of the most versatile tools in your microphone collection. The E150 includes a robust shock mount and metal pop filter.

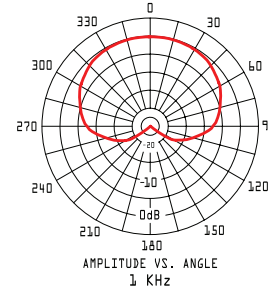
E150

Equitek Large Diaphragm Condenser Microphone

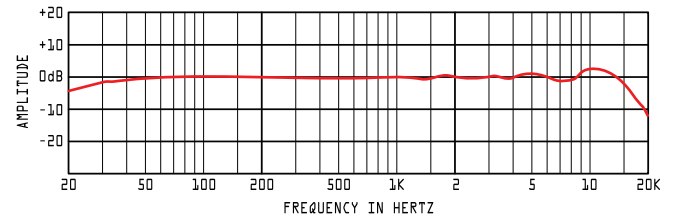
Specifications†

Principle	Condenser
Polar Pattern	Cardioid
Frequency Response	20Hz - 20kHz
Sensitivity	-34dBV ±2dB @ 1 Pa
Impedance	60ohms
Max SPL	138dB
Self Noise	14dBA
S/N ratio	80dB
Power Requirements	P48, 3mA
Weight	1.8 lbs (0.8kg)
Weight (without Shock Mount)	0.86lbs (388g)
Mic Dimensions	2.04" x 1.73" x 6.4" (5.2cm x 4.4cm x 16.2cm)
Included Accessories	shock mount, metal pop filter
RoHS	Compliant

Polar Pattern

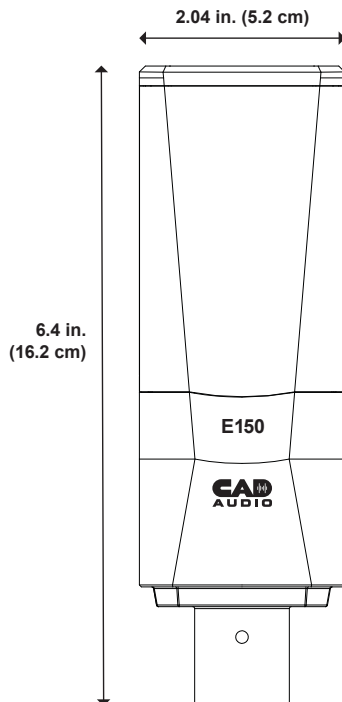


Frequency Response



†Specifications subject to change without notice.

Dimensional Drawing



Shock Mount



Metal Pop Filter



Limited Lifetime Warranty

CAD Audio hereby warrants that this product will be free of defects in material and workmanship for the lifetime of the original (End-User) purchaser. In the unlikely event that a defect occurs, CAD will, at its option, either repair or replace with a new unit of equal or greater value. In the event that a suitable replacement is unavailable, CAD Audio may elect to reimburse owner for the cost of local repairs or issue a refund in the amount of the original purchase price. Items must be purchased from an authorized CAD Audio dealer, and the warranty is not transferable from the original owner. Please retain proof of purchase to validate the purchase and include it with any warranty claim.

This warranty excludes exterior finish or appearance, damage from abuse, misuse of the product, use contrary to CAD's instructions or unauthorized repair. All implied warranties, merchantability, or fitness for a particular purpose is hereby disclaimed and CAD hereby disclaims liability for incidental, special or consequential damages resulting from the use or unavailability of this product.

This warranty gives you specific legal rights and you may have other rights that vary from state to state. Some states do not allow the exclusion or limitation of incidental or consequential damages or limitations on how long an implied warranty lasts, so the above exclusions and limitations may not apply to you.

Note: No other warranty, written or oral is authorized by CAD Audio.

To initiate a warranty claim, please contact American Music and Sound at 1-800-431-2609 to obtain a return authorization number and shipping instructions.

- A return authorization is required for all returns. RETURNS WITHOUT A PRE-APPROVED RETURN AUTHORIZATION NUMBER WILL BE REFUSED.
 - Please use at least 3 inches of padding surrounding the product for protection during shipment
 - Retain your tracking number until your warranty claim has been resolved
 - We recommend using an insured shipping method in case of loss or damage during shipment
- If outside the United States, contact your local dealer or distributor for warranty details.



CAD Audio 310 Newberry Rd.
Bloomfield, CT 06002-9005 USA
cadaudio.com 800-762-9266

