

Description

The Astatic AMC 105 Series microphones are push-button omnidirectional dynamics designed specially for fixed or gooseneck mounting in quality sound installations. These microphones are extremely rugged and reliable and will stand up under the most strenuous handling conditions to provide years of dependable service. A smooth wide band frequency response with a slight, intentional "presence" boost at 2000 Hz gives a "natural", crisp, highly intelligible sound.

All models are furnished with a 5/8"-27 mounting thread and 2.1m (7ft.) of rugged synthetic jacketed four conductor (two shielded) cable. Finished with a chrome plated screen and black Cyclocap and housing.

- AMC105-0074 Low Impedance, wired normally open
- AMC-105 on a 483mm (19") gooseneck
with a 1 3/4 " flange

Applications

The Astatic AMC 105 microphones, because of their professional sound and rugged construction, are excellent choices for any application requiring fixed or gooseneck mounting. This would include language lab systems, fast food outlets, drive-in banks, lecterns, supermarkets, restaurants, paging and dispatching stations and any other application where there is a fixed mount requirement.

Specifications

Generating Element:

Dynamic

Pattern:

Omnidirectional

Frequency Response:

50 Hz - 13,000 Hz

Output:

-56dBV (1.6mV) @ 1 Pa

Cable:

2.1 m (7') of four conductor, two shielded, permanently attached, rugged, synthetic jacketed cable.

Switch:

DPDT push-button operated sealed microswitch

Impedance:

Low Z 400 ohms, matches 150 to 600 ohms.

Finish:

Chrome plated screen, black Cyclocap & housing.

Dimensions:

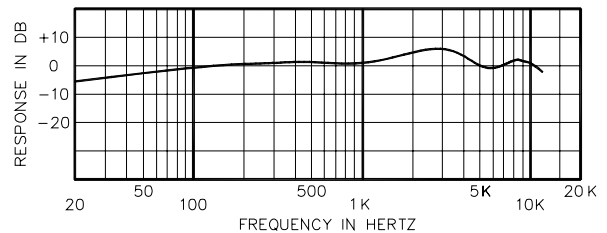
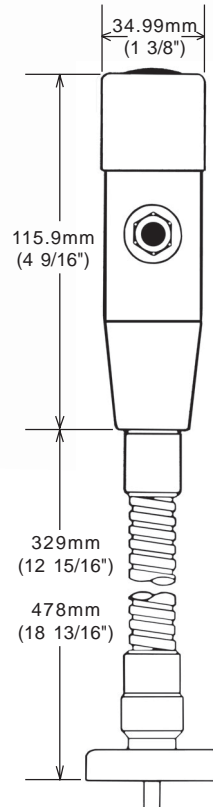
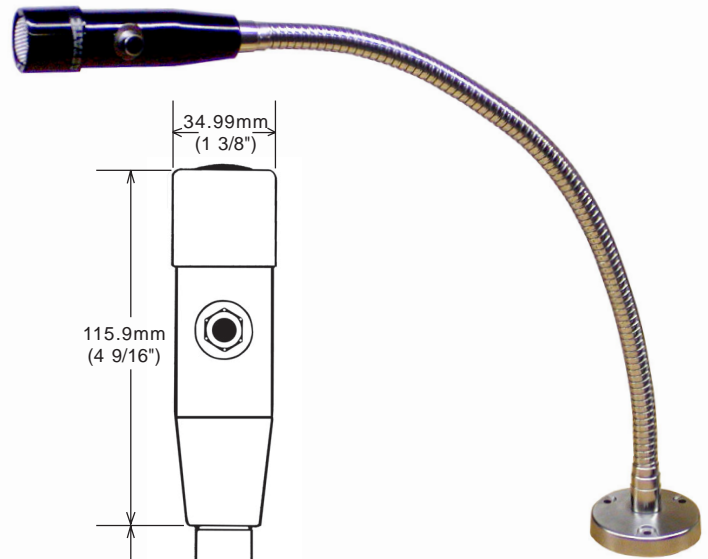
34.9mm (1 3/8") diameter x 115.9mm (4 9/16") long

NET Weight:

170.1 grams (6 oz.) without gooseneck

Phasing:

Positive pressure (movement of diaphragm inward) will generate a positive voltage on the red cable lead with respect to the black cable lead.



TWO-YEAR LIMITED WARRANTY

CAD Audio, LLC ("ASTATIC") hereby warrants that this product will be free of defects in material and workmanship for a period of two years from the date of purchase. In the unlikely event a defect occurs ASTATIC will, at its option, either repair or replace with a new unit of equal or greater value. You should retain proof of purchase to validate the purchase date

This warranty excludes exterior finish or appearance, damage from abuse, misuse of the product, use contrary to ASTATIC's instructions or unauthorized repair. All implied warranties or merchantability or fitness for a particular purpose are hereby disclaimed and " hereby disclaims liability for incidental, special or consequential damages resulting from the use or unavailability of this product.

This warranty gives you specific legal rights and you may also have other rights which vary from state to state. Some states do not allow the exclusion or limitation of incidental or consequential damages or limitations on how long an implied warranty lasts, so the above exclusions and limitations may not apply to you.

Note: No other warranty, written or oral is authorized by CAD Audio, LLC

ASTATIC Quality

All AMC 105 microphones are audio tested and inspected prior to shipment. Our absolute commitment to quality insures that ASTATIC microphones remain the **Best Value** in today's competitive industry.



AMC105-0074 small flange

