



CAD 25A

SUPERCARDIOID MICROPHONE

Description

The **CAD 25A** is a dynamic supercardioid microphone designed with the qualities required by the professional, yet highly affordable for the price conscious vocalist and musician in recording or live performance applications. The **CAD 25A** features a frequency response covering the audible range necessary for accurate natural sound, and a uniform supercardioid polar pattern that reduces annoying feedback when used in close proximity to sound reinforcement speakers and monitors. A warm bass-boost (proximity effect) is achievable by working close to the **CAD 25A**. Also, the built-in presence boost provides the additional "punch" needed in sound reinforcement. The **CAD 25A** has a **Flex-Form™** hardened steel grille screen that dramatically resists deformation while greatly reducing any risk of adverse performance caused by a bent or dented ball screen. This unique ability to retain its original shape assures that the **CAD 25A** will maintain its attractive appearance.

A new durable polyurethane finish offers a soft-to-touch feel and the confidence of a nonslip surface. Also, if accidentally scratched, a slight rubbing with the thumb "erases" the scratch.

The **CAD 25A** is supplied with a swivel mount, on/off switch with recessed button, an effective internal multistage blast filter to minimize wind and breath noise, and an effective rubber shock mount to reduce cable, stand and handling noise.



Specifications

Generating Element:

Dynamic

Polar Pattern:

Supercardioid

Frequency Response:

50 Hz - 16 kHz

Open Circuit Voltage @ 1KHz:

-53dBV (2.3mV) @ 1Pa

Impedance:

500 Ohms

Switch:

ON/OFF (Recessed Button)

Housing:

Die Cast Zinc Alloy

Finish:

Durable Soft-Feel, Midnight Black Ball Screen, "Titanium Gray" Housing

Dimensions:

(See Drawing)

NET Weight:

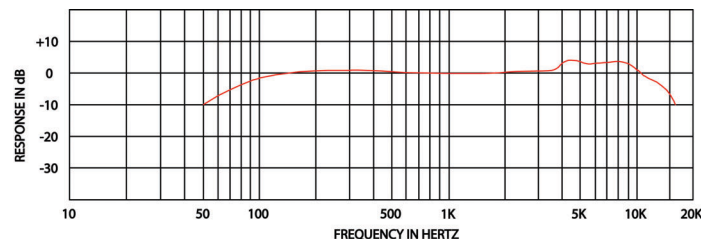
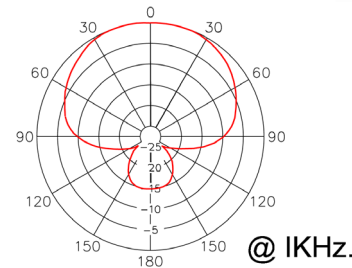
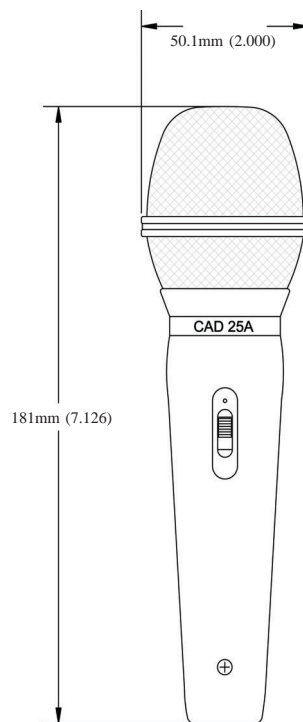
265 grams (9.5 oz.)

Accessories: (Included)

Zippered Vinyl Protective Pouch
Mic Stand Holder

Accessories: (Optional)

Windscreen
Cable Assembly



Architects' and Engineers' Specification

The microphone shall be a dynamic supercardioid type low impedance with wide-range frequency response uniform from 50 Hz to 16 kHz, having a recessed, on/off switch. Output level at 1 kHz shall be -53 dBV @ 1 Pa. The polar response shall show a minimum of -15 dB at 125° between 250 Hz and 3 kHz. The transducer shall be shock mounted to minimize handling noise and other mechanically generated vibration. The microphone case shall be die-cast zinc alloy. The microphone shall have a length of 7 1/8" ±1/64", and a maximum diameter of 2" ±1/8". The microphone shall be finished in a soft-feel, nonslip, non-reflecting black & "Titanium Gray" polyurethane. A mic stand holder and a zippered vinyl protective pouch shall be supplied.

The CAD Model CAD25A is specified.

TWO-YEAR LIMITED WARRANTY

Omnitronics, LLC ("CAD") hereby warrants that this product will be free of defects in material and workmanship for a period of two years from the date of purchase. In the unlikely event a defect occurs CAD will, at its option, either repair or replace with a new unit of equal or greater value. You should retain proof of purchase to validate the purchase date and return it with any warranty claim. Return warranty claims carefully packed, insured and prepaid to the Service Department at the address listed below.

This warranty excludes exterior finish or appearance, damage from abuse, misuse of the product, use contrary to CAD's instructions or unauthorized repair. All implied warranties or merchantability or fitness for a particular purpose are hereby disclaimed and CAD hereby disclaims liability for incidental, special or consequential damages resulting from the use or unavailability of this product.

This warranty gives you specific legal rights and you may also have other rights which vary from state to state. Some states do not allow the exclusion or limitation of incidental or consequential damages or limitations on how long an implied warranty lasts, so the above exclusions and limitations may not apply to you.

Note: No other warranty, written or oral is authorized by Omnitronics, LLC

46873-51-00 / Rev.2 / 10-22-04 / S.W.