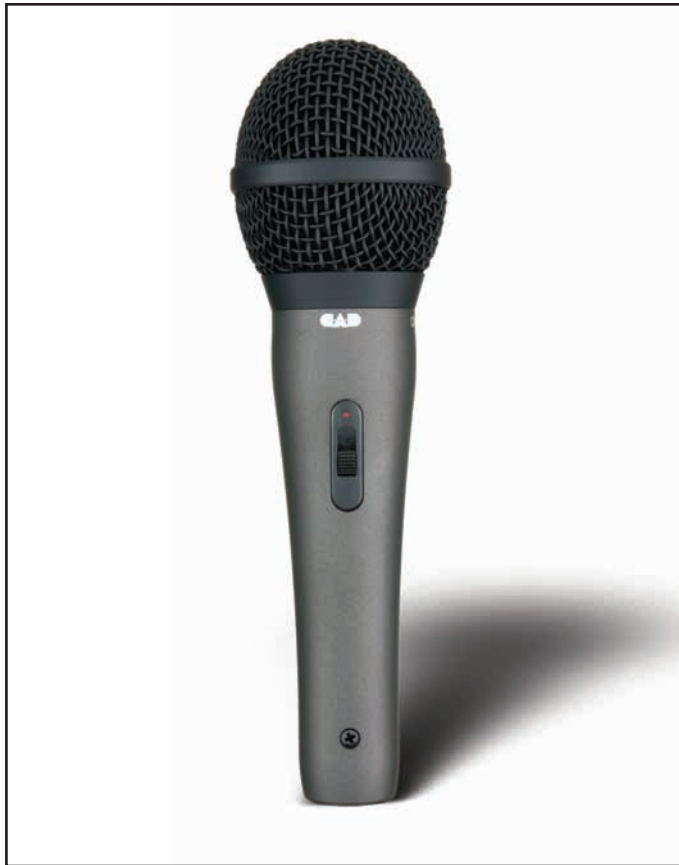


CAD22A

Supercardioid Dynamic Microphone



Description

The CAD22A is designed for handheld vocal capture. The supercardioid polar pattern maximizes off-axis rejection while the wide, smooth frequency response ensures full and transparent tone. Polymer isolation decouples the transducer from the housing to dramatically reduce cable, stand, and handling noise. The internal multistage blast filter minimizes breath and wind noise while the built-in presence boost provides additional punch. The CAD22A delivers clean mixes, less feedback and includes an integral on/off switch.

The low-frequency response of this microphone can be altered by adjusting the sound source distance. Engineers call this "proximity effect". As the distance to the sound source decreases, the bass sensitivity increases, adding a solid, robust character to your sound.

The CAD22A is supplied complete with protective travel pouch and mic clip.



CAD Professional Microphones
6573 Cochran Rd., Building I
Solon, Ohio 44139 U.S.A.
www.cadmics.com

CAD22A

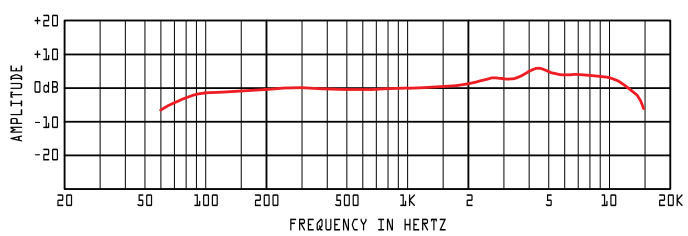
Supercardioid Dynamic Microphone

Specifications†

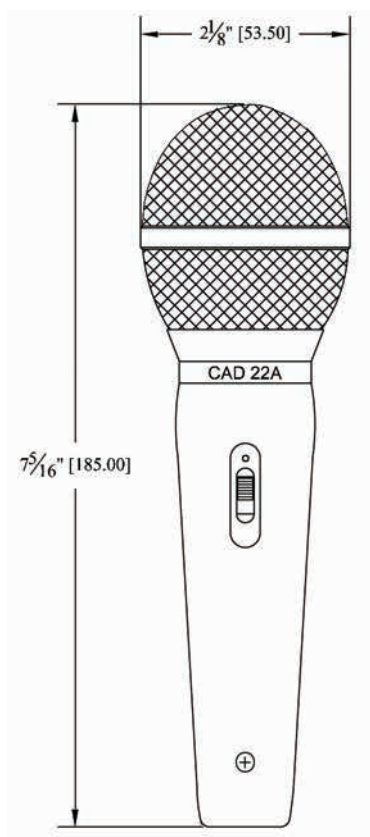
Operating Principle.....Moving coil dynamic
 Polar Pattern Supercardioid
 Frequency Response60Hz - 15KHz
 Sensitivity-54dBV (2.0mV) @ 1Pa
 Impedance..... 500 ohms
 Net Weight.....9.5oz (265g)

†Specifications subject to change without notice.

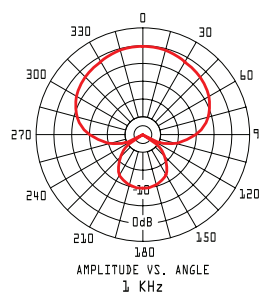
Frequency Response



Dimensional Drawing (not shown actual size)



Polar Pattern



CAD Professional Microphones
 6573 Cochran Rd., Building I
 Solon, Ohio 44139 U.S.A.
www.cadmics.com

