



STUDIO

HA4

Four Channel Stereo Headphone Amplifier



Applications:

Recording
Live Monitoring

Description

The HA4 is a compact stereo headphone amplifier featuring four discrete channels with individual volume controls. Exceptional signal-to-noise ratio ensures optimum clarity and offers a transparent reproduction of your session. The HA4 is an essential tool for enhanced listening performance and a vital accessory for the recording musician.



CAD Audio
6573 Cochran Rd., Bldg. I Solon, OH 44139 U.S.A.
Tel: (440) 349-4900 Fax: (440) 248-4904
Sales: 800-762-9266 www.cadaudio.com

©2011 CAD Audio Part No. 47700-02-00 Aug2011





HA4

Four Channel Stereo Headphone Amplifier

Specifications†

Frequency Response	20Hz -50KHz
S/N Ratio	>110dBA
Maximum Input Level	+16dBu
Output Impedance	47 ohms
Output Power	50mW
Weight	11oz [0.31Kg]
RoHS	Compliant

†Specifications subject to change without notice.

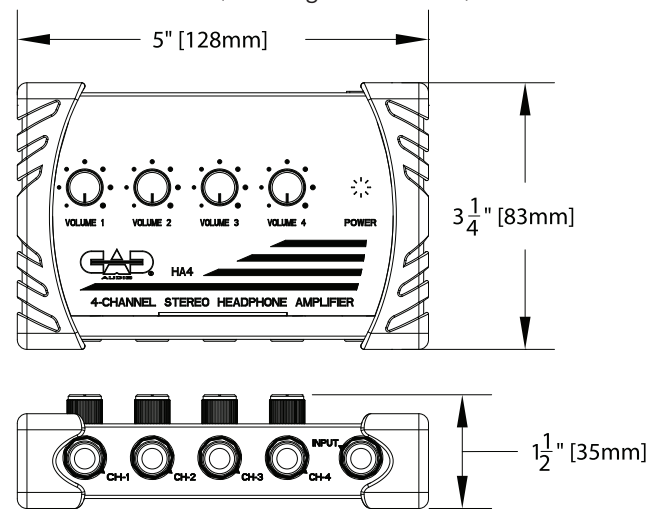
Back View

**Power Input (12v DC 200mA)
(Power Adaptor Included)**



Dimensional Drawing

(drawing not to scale)



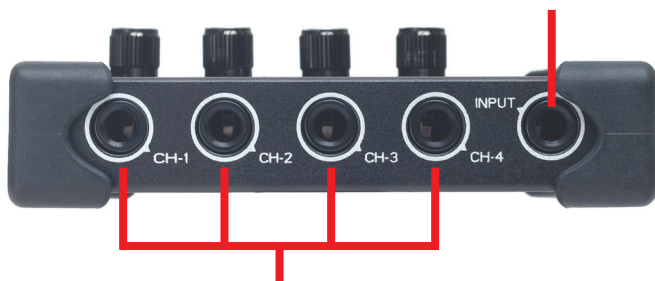
Top View

Individual Volume Control



Front View

1/4" (6.3mm) Stereo Input



1/4" (6.3mm) Stereo Output



CAD Audio
6573 Cochran Rd., Bldg. I Solon, OH 44139 U.S.A.
Tel: (440) 349-4900 Fax: (440) 248-4904
Sales: 800-762-9266 www.cadaudio.com

©2011 CAD Audio Part No. 47700-02-00 Aug2011



Two-Year Limited Warranty

CAD Audio hereby warrants that this product will be free of defects in material and workmanship for a period of two years from the date of purchase. In the unlikely event that a defect occurs CAD Audio will, at its option, either repair or replace with a new unit of equal or greater value. Retain proof of purchase to validate the purchase date and return it with any warranty claim.

This warranty excludes exterior finish or appearance, damage from abuse, misuse of the product, use contrary to CAD Audio's instructions or unauthorized repair. All implied warranties, merchantability, or fitness for a particular purpose is hereby disclaimed and CAD Audio hereby disclaims liability for incidental, special or consequential damages resulting from the use or unavailability of this product.

This warranty gives you specific legal rights and you may have other rights that vary from state to state. Some states do not allow the exclusion or limitation of incidental or consequential damages or limitations on how long an implied warranty lasts, so the above exclusions and limitations may not apply to you.

Note: No other warranty, written or oral is authorized by CAD Audio.

Shipping Instructions

Please call our customer service department at 440-349-4900 for a pre-approved return authorization number.

Carefully repack the unit and return the insured package to: CAD Audio, 6573 Cochran Road, Building I, Solon, Ohio 44139.
RETURNS WITHOUT A PRE-APPROVED RETURN AUTHORIZATION NUMBER WILL BE REFUSED.

If outside the United States, contact your local dealer or distributor for warranty details.

